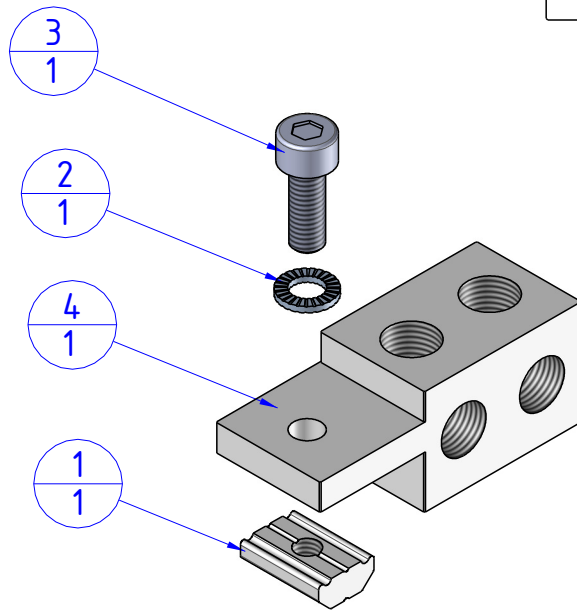
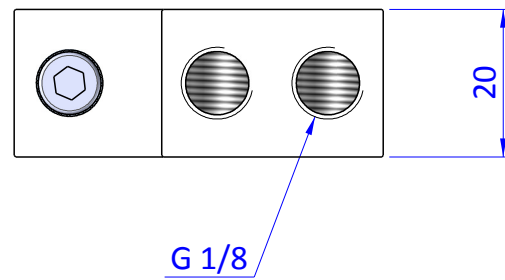
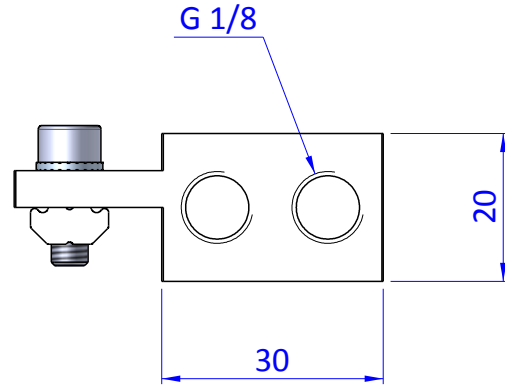

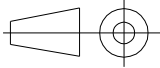


THE PROPERTY OF THE DRAWING IS ESTABLISHED BY LAW. IT IS FORBIDDEN TO PRODUCE OR SHOW IT TO THIRD PART. WITHOUT A WRITTEN AGREEMENT.

Item	Name	Q.ty
1	CA.GWP.5U	1
2	R.5.SCH	1
3	V.TCE5x14	1
4	VTB.X.241818	1



<b>Format A4</b> UNI 936-76					DESIGNED FROM <b>FPS Automation</b>		REVIEW <b>A</b>
	GENERAL TOLERANCE UNI - ISO 2768 CLASSE f		DESCRIPTION <b>CA.VTB.X.241818</b>		DATE <b>28/05/2019</b>	WEIGHT <b>0,039kg</b>	
					CODE <b>CA.VTB.X.241818</b>		